

# CONNECTOR SERIES

**RJ45 With Transformer-5G/2.5G**



## LED Color Option

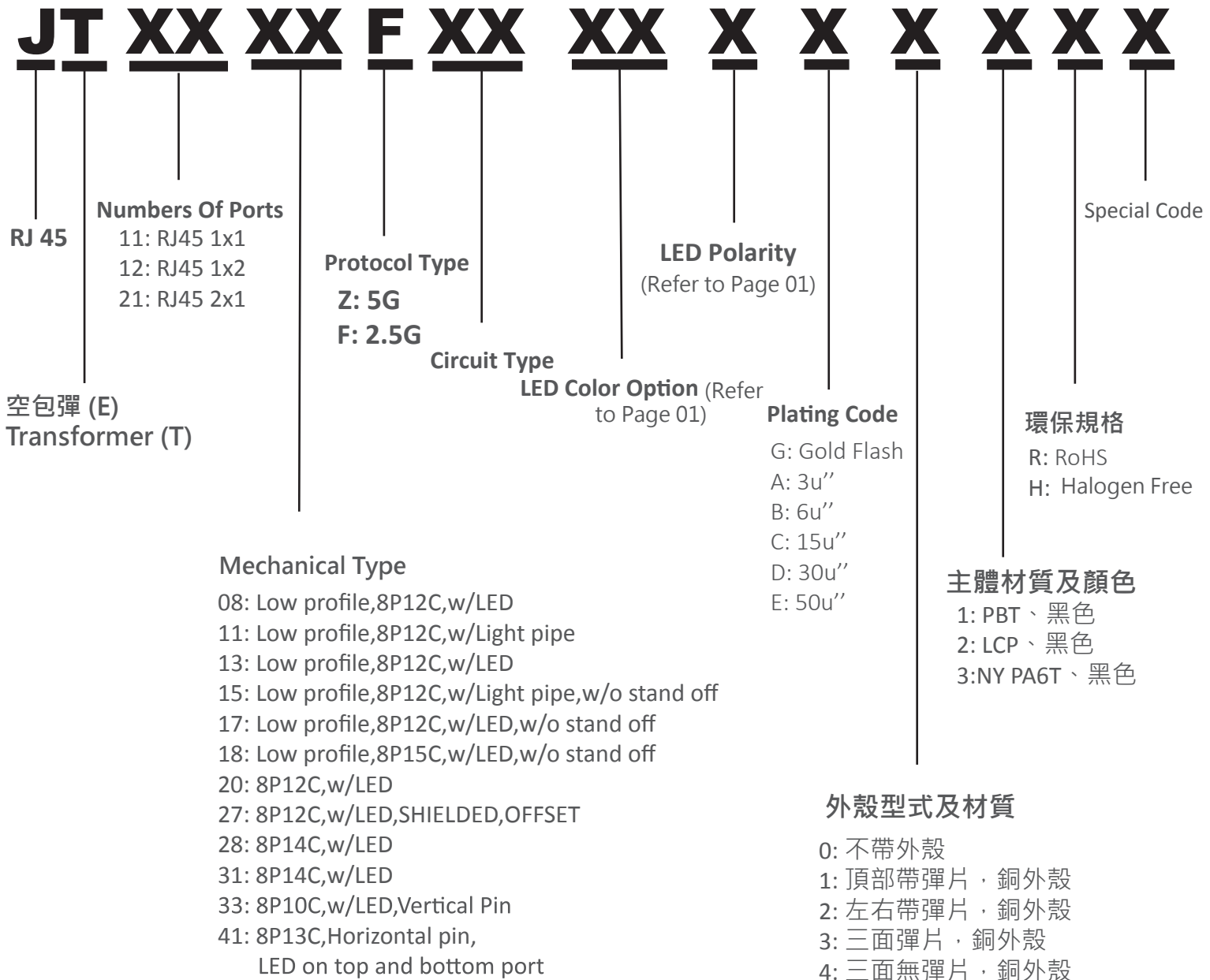
LED CODE	LEFT LED2	RIGHT LED1	LED CODE	LEFT LED2	RIGHT LED1	LED CODE	LEFT LED2	RIGHT LED1
0	BK	BK	A	GR/YE	GR/YE	L	GR/YE	RD/GR
1	YE	GR	B	RD/GR	RD/GR	M	RD	YE
2	BK	GR	C	RD/GR	GR/YE	N	GR/OR	YE
3	GR	BK	D	GR	GR/YE	P	OR/GR	YE
4	GR	YE	E	YE	GR/YE	Q	GR	YE/GR
5	GR	GR	F	OR	GR	R	GR	GR/OR
6	YE	YE	G	GR/OR	GR/OR	S	GR	RD/GR
7	OR/GR	OR/GR	H	GR/YE	GR	T	RD	RD
8	YE/GR	YE/GR	J	RD/GR	YE	V	YE/GR	GR
9	RD	BK	K	YE	OR/GR	Y	GR/OR/YE	YE

## LED Polarity

LED 極性	LEFT LED2	RIGHT LED1	LED 極性	LEFT LED2	RIGHT LED1
0	無燈	無燈	A	三色共陽	三色共陽
1	+,-	+,-	B	-,+	雙色
2	+,-	-,+	C	-,+	三色共陽
3	-,+	+,-	D		
4	-,+	-,+	E		
5	雙色	雙色	F		
6	三色共陽	-,+	G		
7	雙色	+,-	H		
8	雙色	-,+	J		
9	+,-	雙色	K		

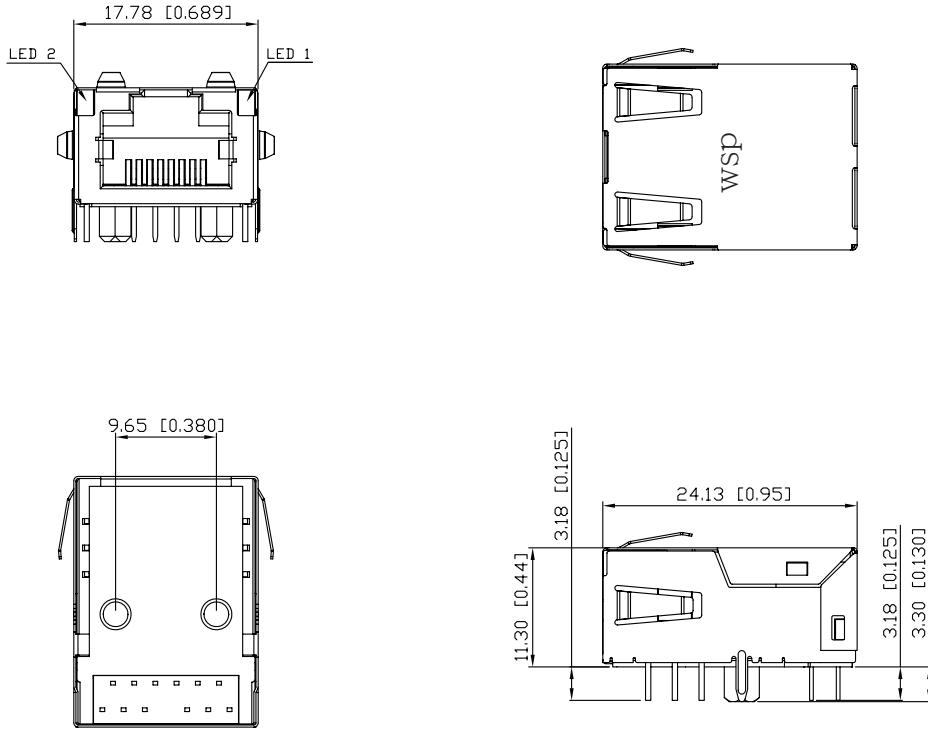
## Product Number Description

## 5G/2.5G Series

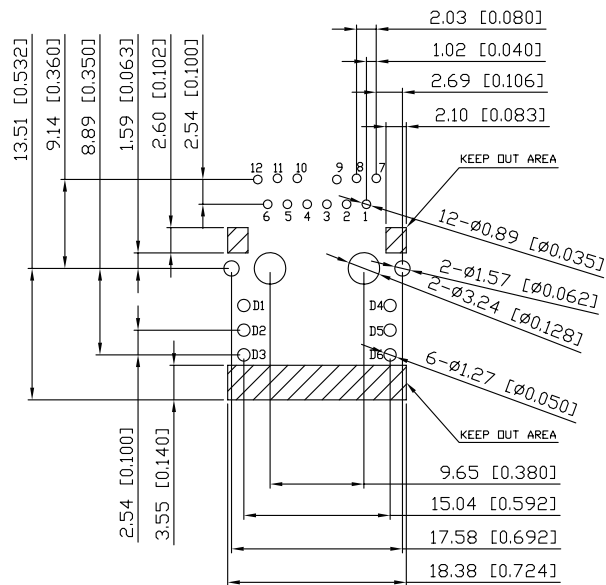


# 5G/2.5G Series JT-11-08-Z/F-XX

## MECHANICAL DIMENSIONS



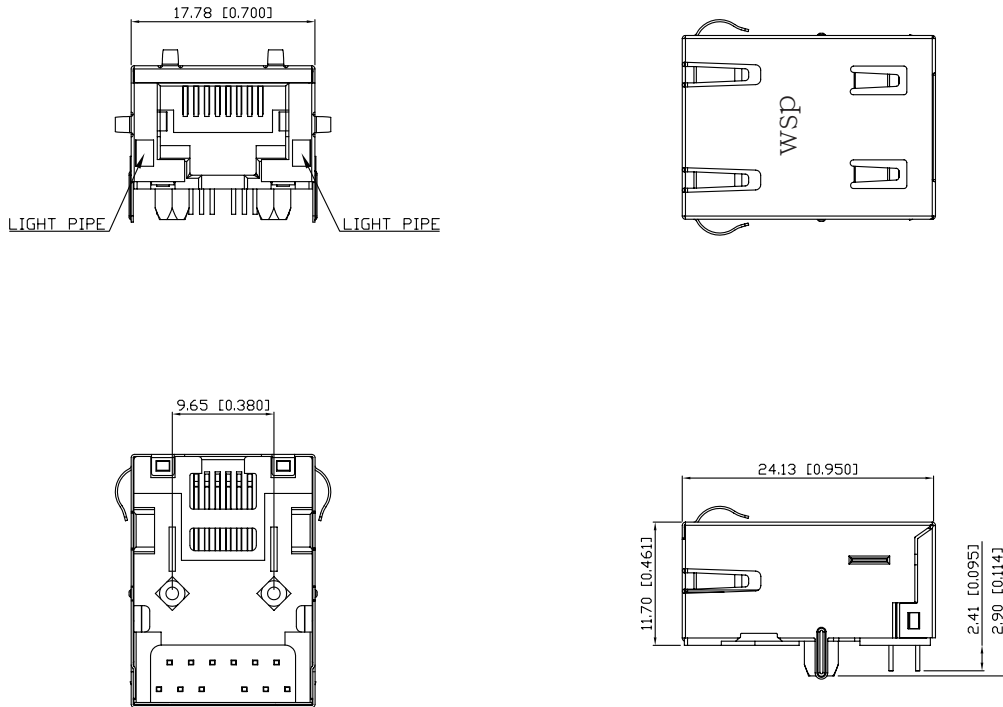
## PCB LAYOUT



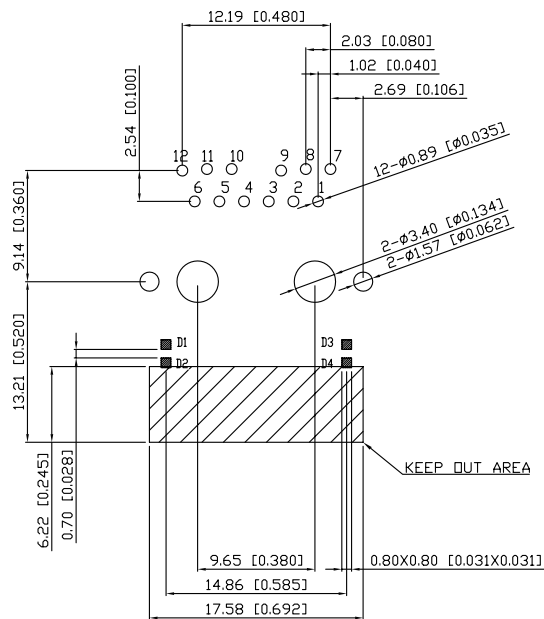
SUGGESTED PCB LAYOUT  
 (TOP VIEW) SCALE: 2:1  
 DIMENSIONAL TOLERANCE: .XX ±0.08[0.003]

# 5G/2.5G Series JT-11-11-Z/F-XX

## MECHANICAL DIMENSIONS



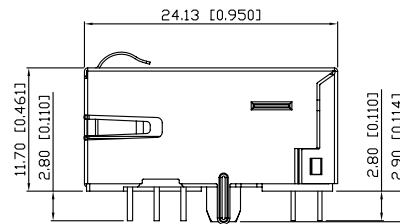
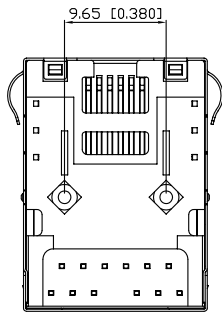
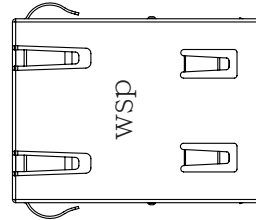
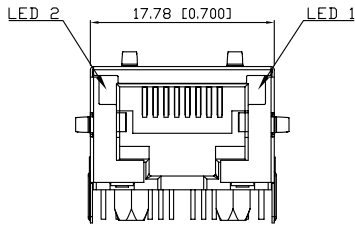
## PCB LAYOUT



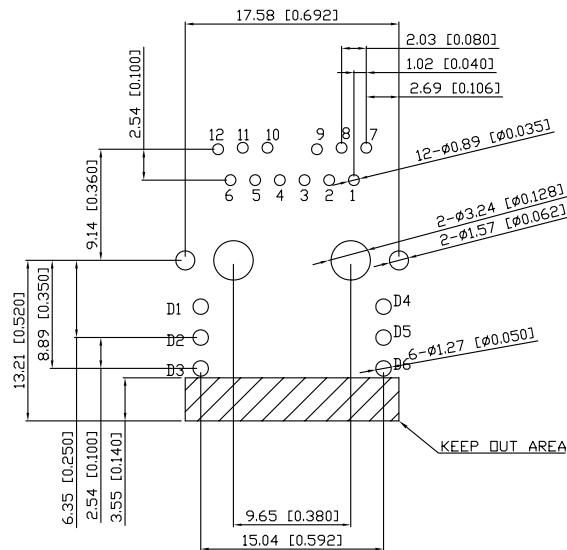
SUGGESTED PCB LAYOUT  
 (TOP VIEW)  
 DIMENSIONAL TOLERANCE: .XX  $\pm$ 0.08[0.003]

# 5G/2.5G Series JT-11-13-Z/F-XX

## MECHANICAL DIMENSIONS



## PCB LAYOUT

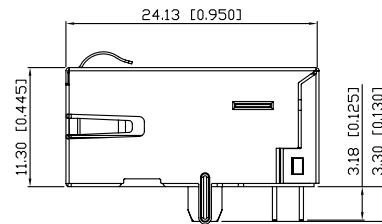
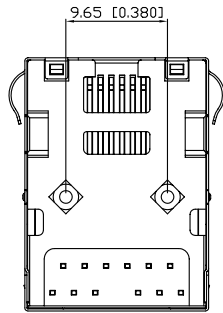
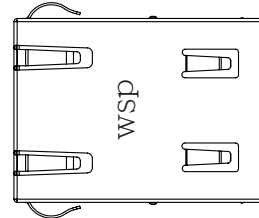
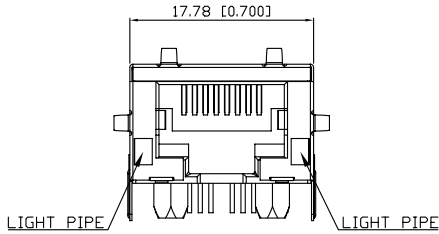


SUGGESTED PCB LAYOUT  
(TOP VIEW)

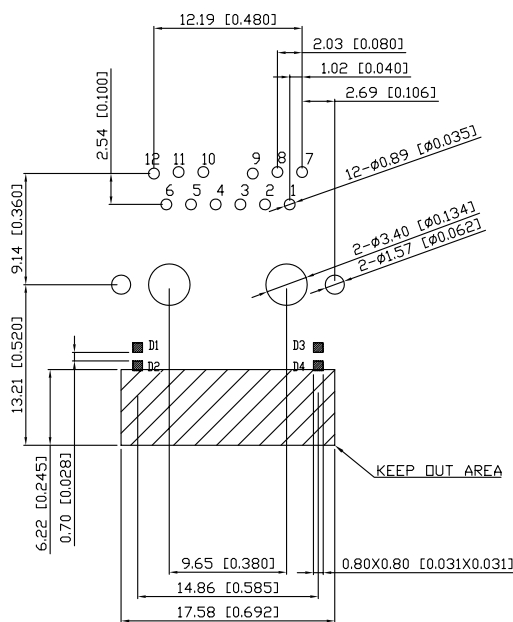
DIMENSIONAL TOLERANCE: .XX  $\pm$ 0.08[0.003]

# 5G/2.5G Series JT-11-15-Z/F-XX

## MECHANICAL DIMENSIONS



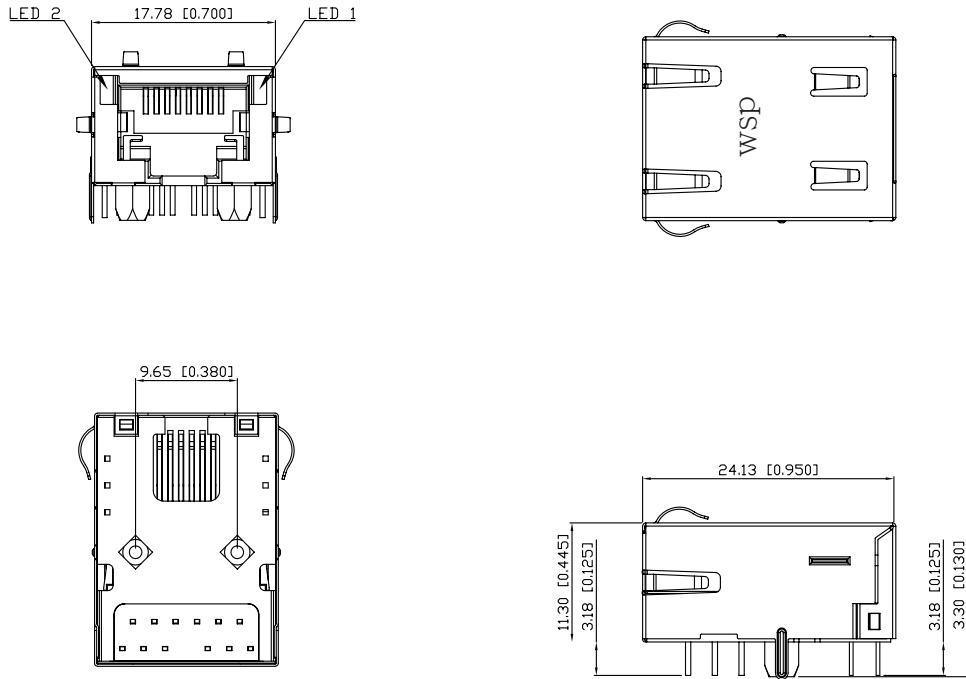
## PCB LAYOUT



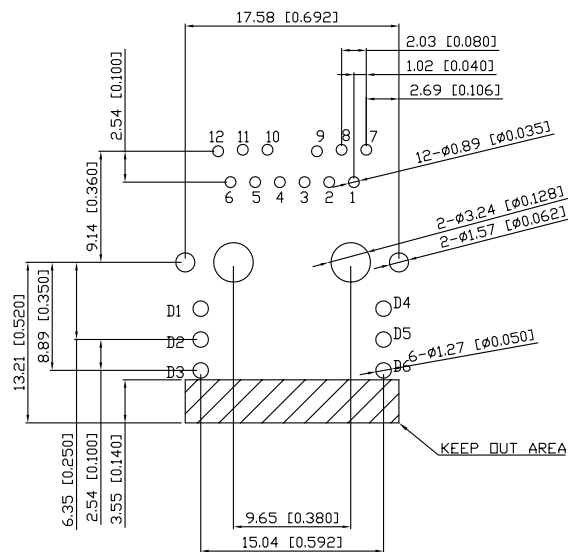
SUGGESTED PCB LAYOUT  
 (TOP VIEW)  
 DIMENSIONAL TOLERANCE: .XX ±0.08[0.003]

# 5G/2.5G Series JT-11-17-Z/F-XX

## MECHANICAL DIMENSIONS



## PCB LAYOUT

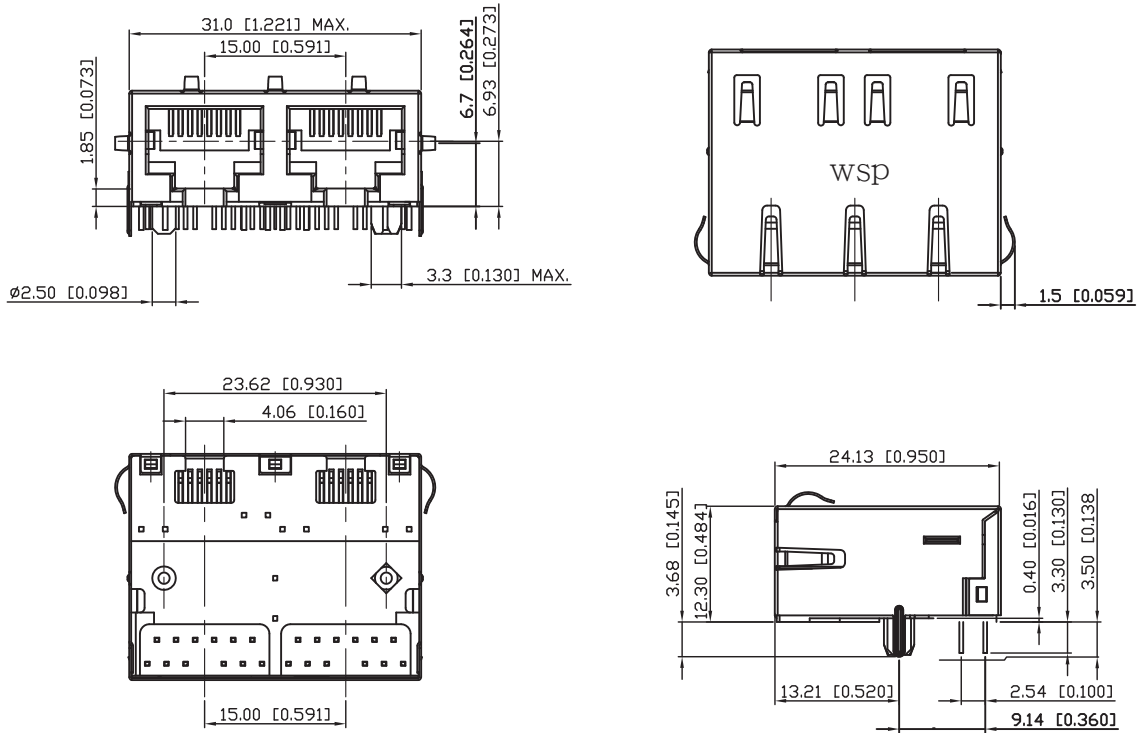


SUGGESTED PCB LAYOUT  
 (TOP VIEW)  
 DIMENSIONAL TOLERANCE: .XX ±0.08[0.003]

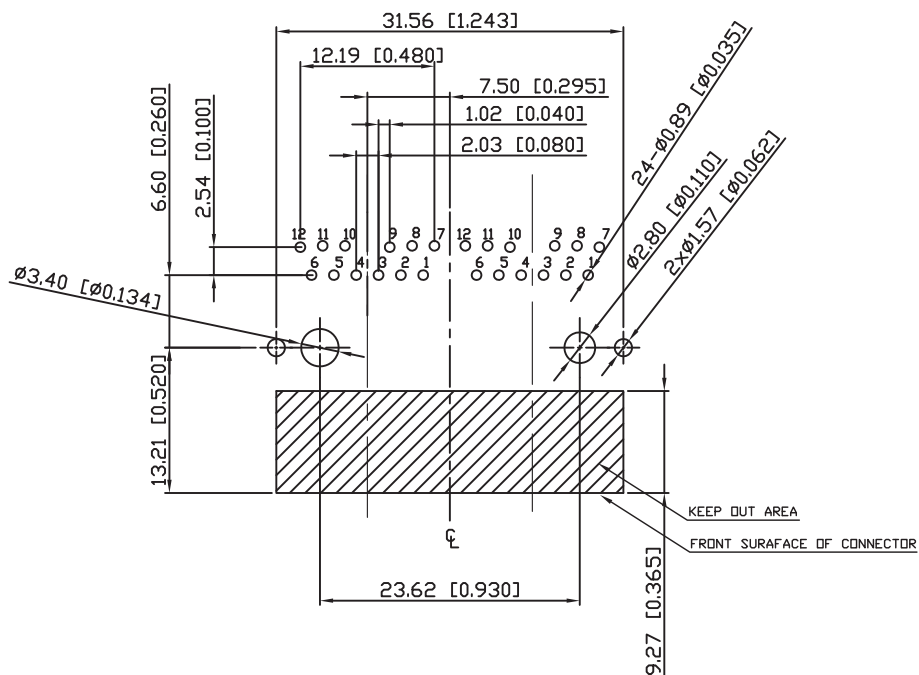


# 5G/2.5G Series JT-12-20-Z/F-XX

## MECHANICAL DIMENSIONS



## PCB LAYOUT

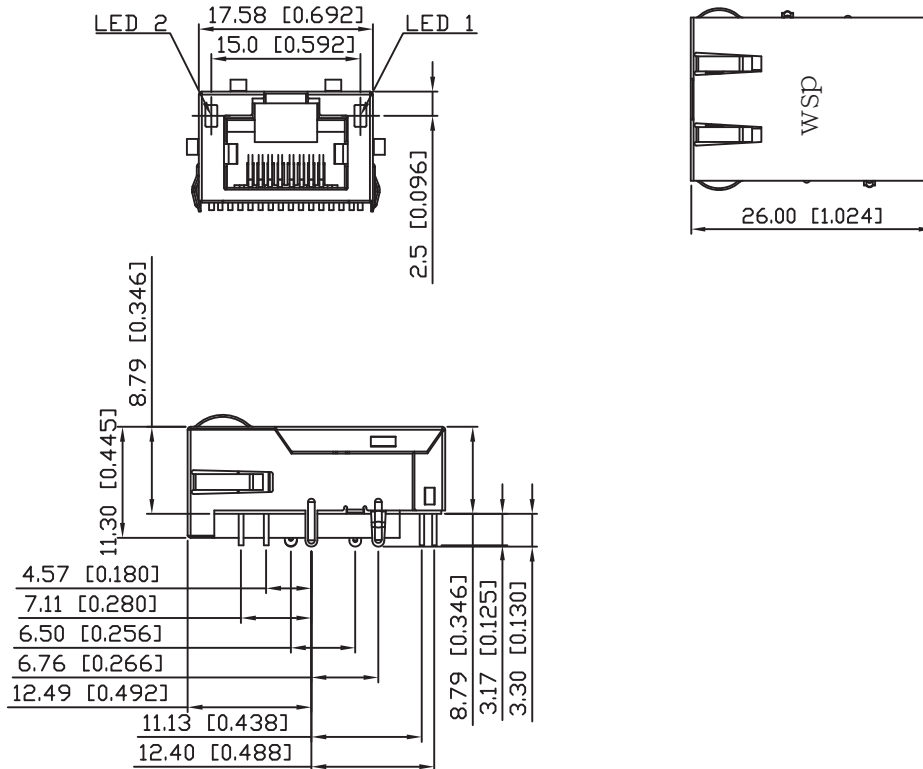


SUGGESTED PCB LAYOUT  
(TOP VIEW)

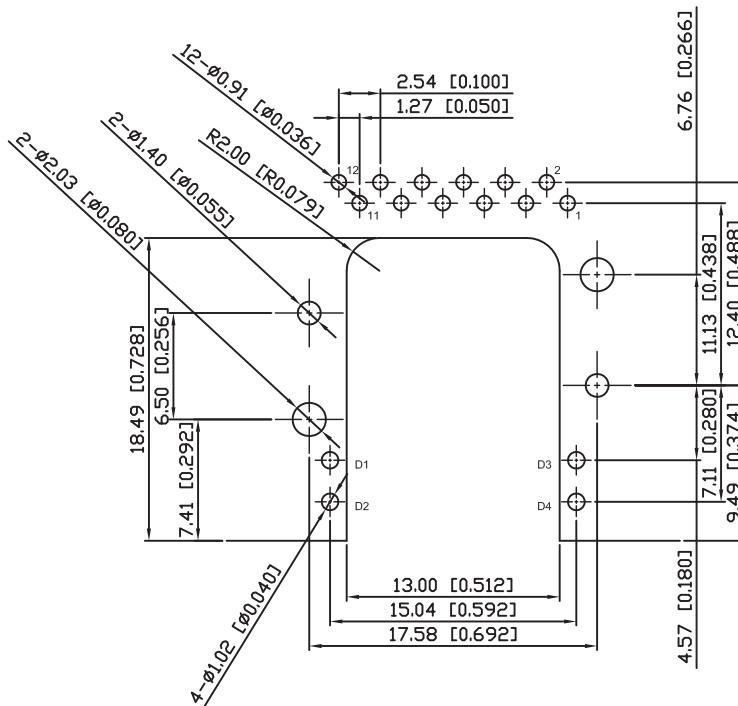
DIMENSIONAL TOLERANCE: .XX ±0.08[0.003]

# 5G/2.5G Series JT-11-27-Z/F-XX

## MECHANICAL DIMENSIONS



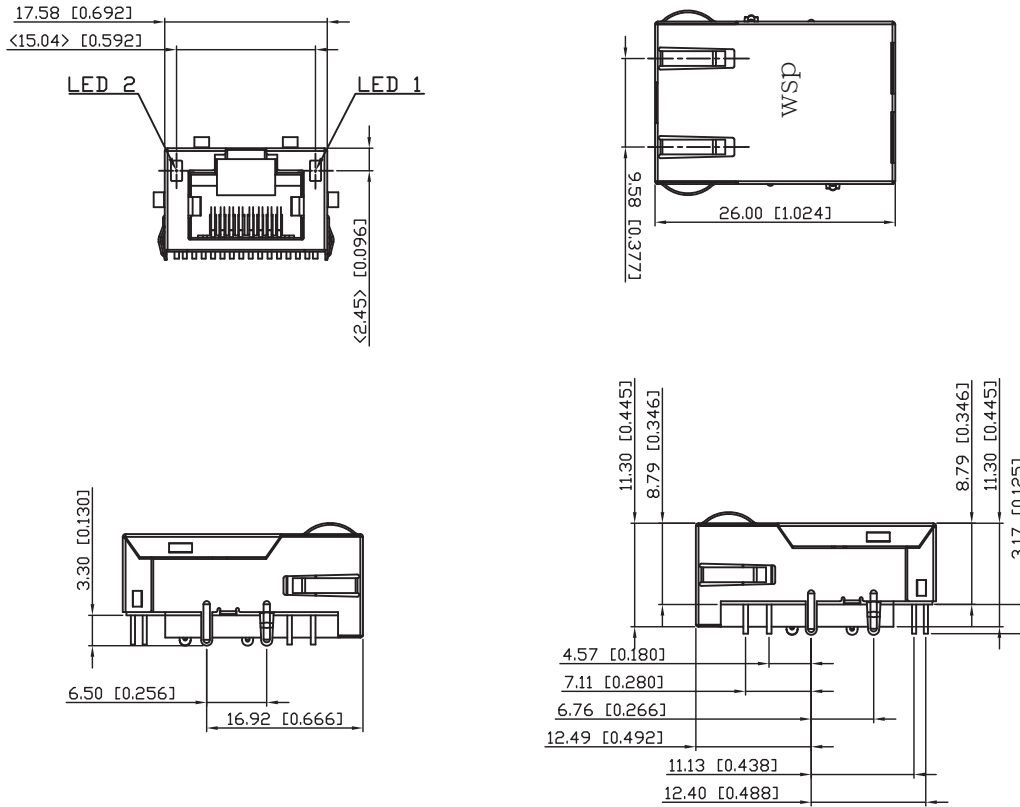
## PCB LAYOUT



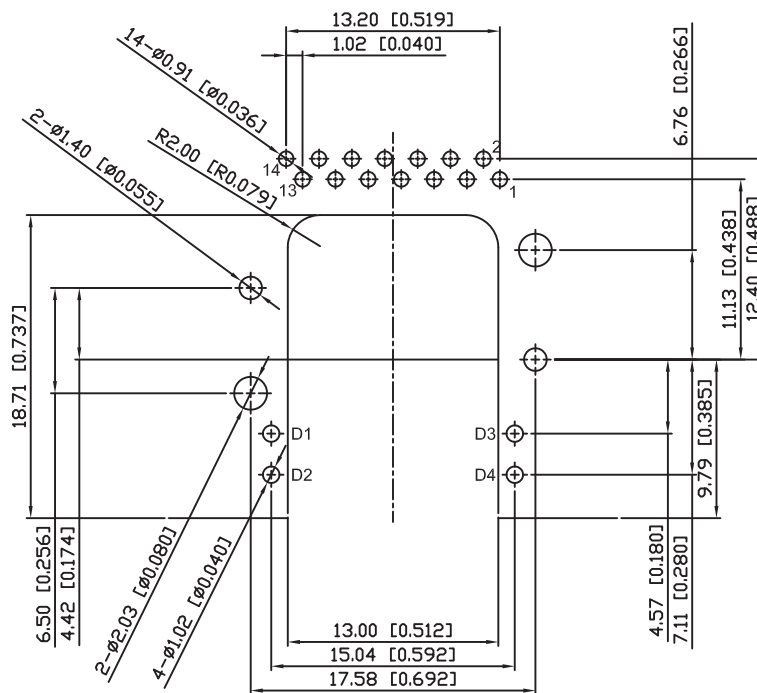
SUGGESTED PCB LAYOUT  
 (TOP VIEW) SCALE:2:1  
 DIMENSIONAL TOLERANCE: .XX  $\pm$ 0.08[0.003]

# 5G/2.5G Series JT-11-28-Z/F-XX

## MECHANICAL DIMENSIONS

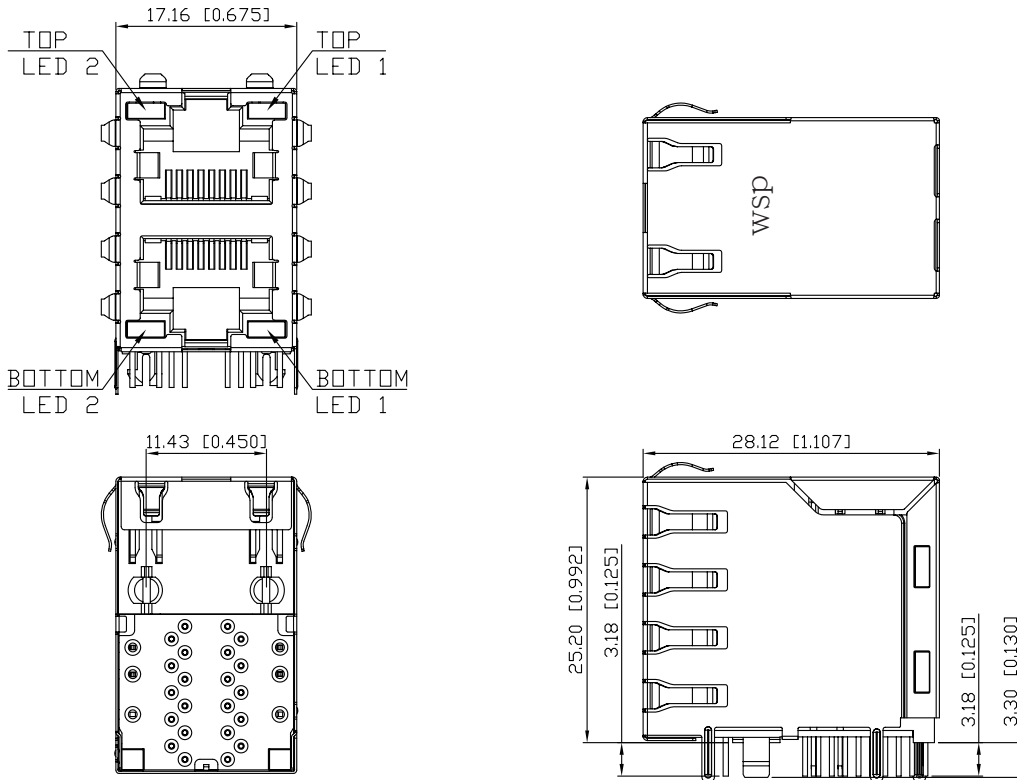


## PCB LAYOUT

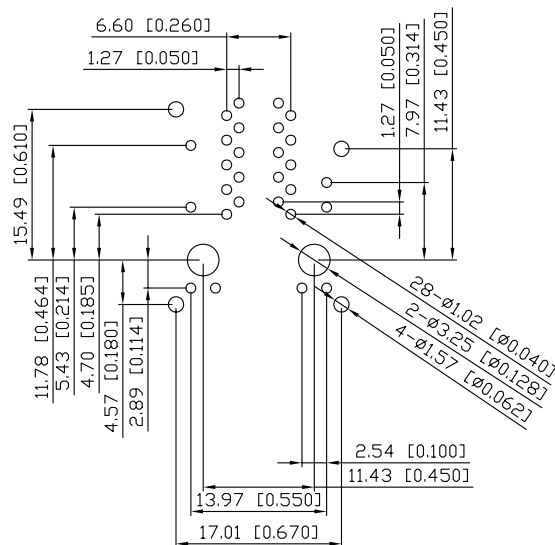


# 5G/2.5G Series JT-21-31-Z/F-XX

## MECHANICAL DIMENSIONS



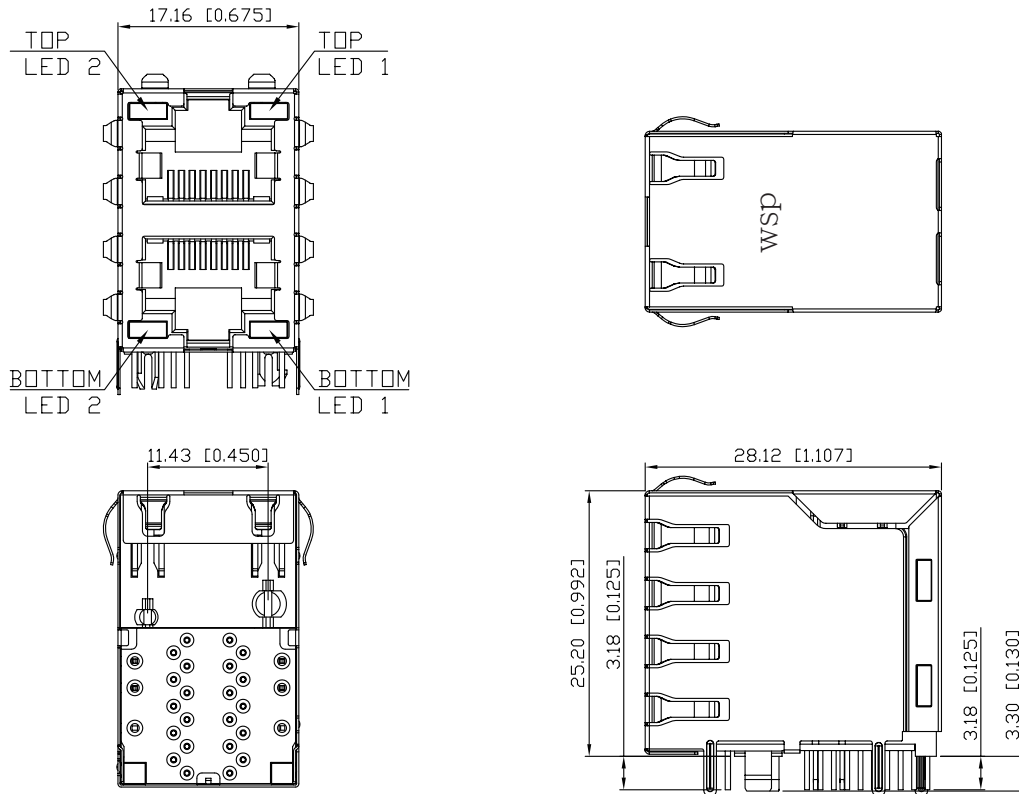
## PCB LAYOUT



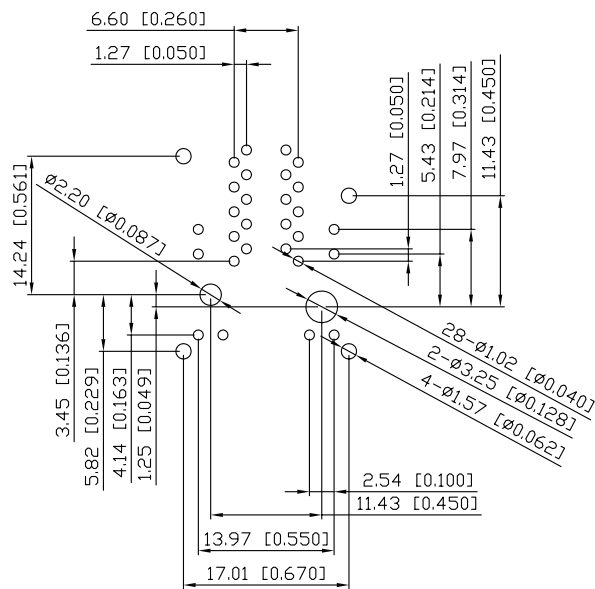
SUGGESTED PCB LAYOUT  
 (TOP VIEW)  
 DIMENSIONAL TOLERANCE: .XX ±0.08[0.003]

# 5G/2.5G Series JT-21-33-Z/F-XX

## MECHANICAL DIMENSIONS



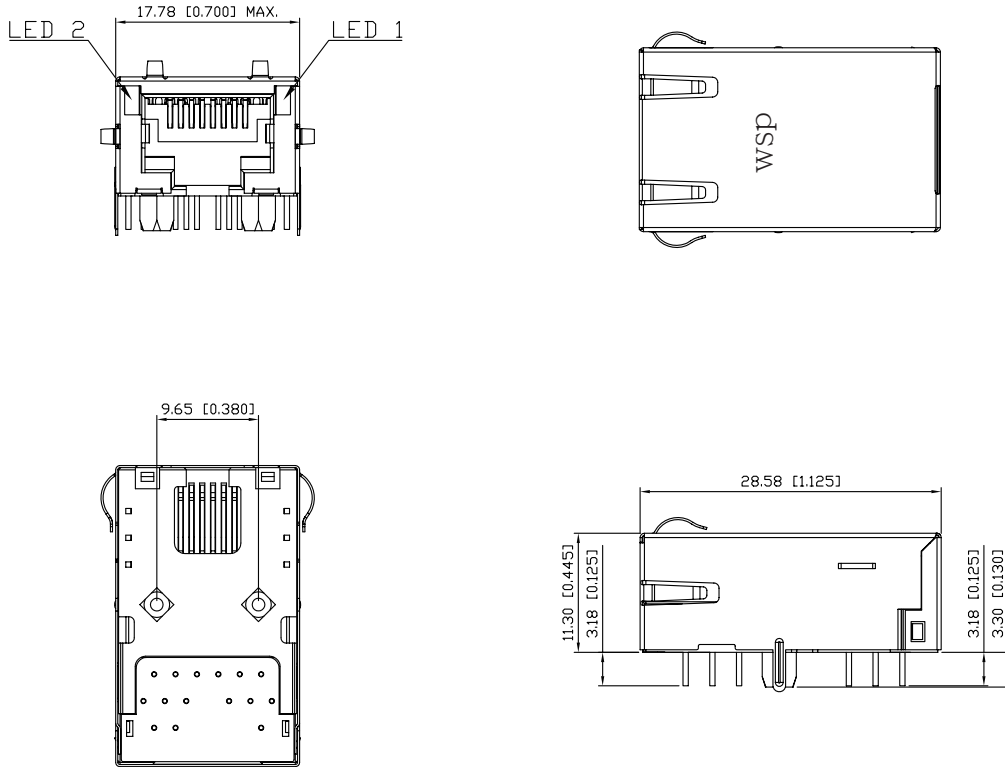
## PCB LAYOUT



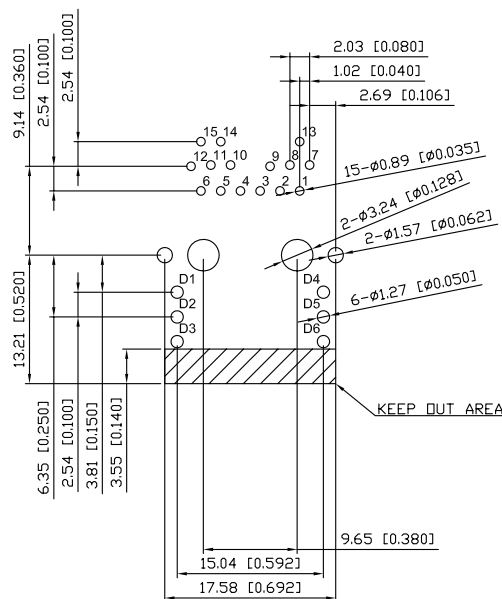
SUGGESTED PCB LAYOUT  
 (TOP VIEW)  
 DIMENSIONAL TOLERANCE: .XX ±0.08[0.003]

# 5G/2.5G Series JT-11-18-Z/F-XX

## MECHANICAL DIMENSIONS



## PCB LAYOUT

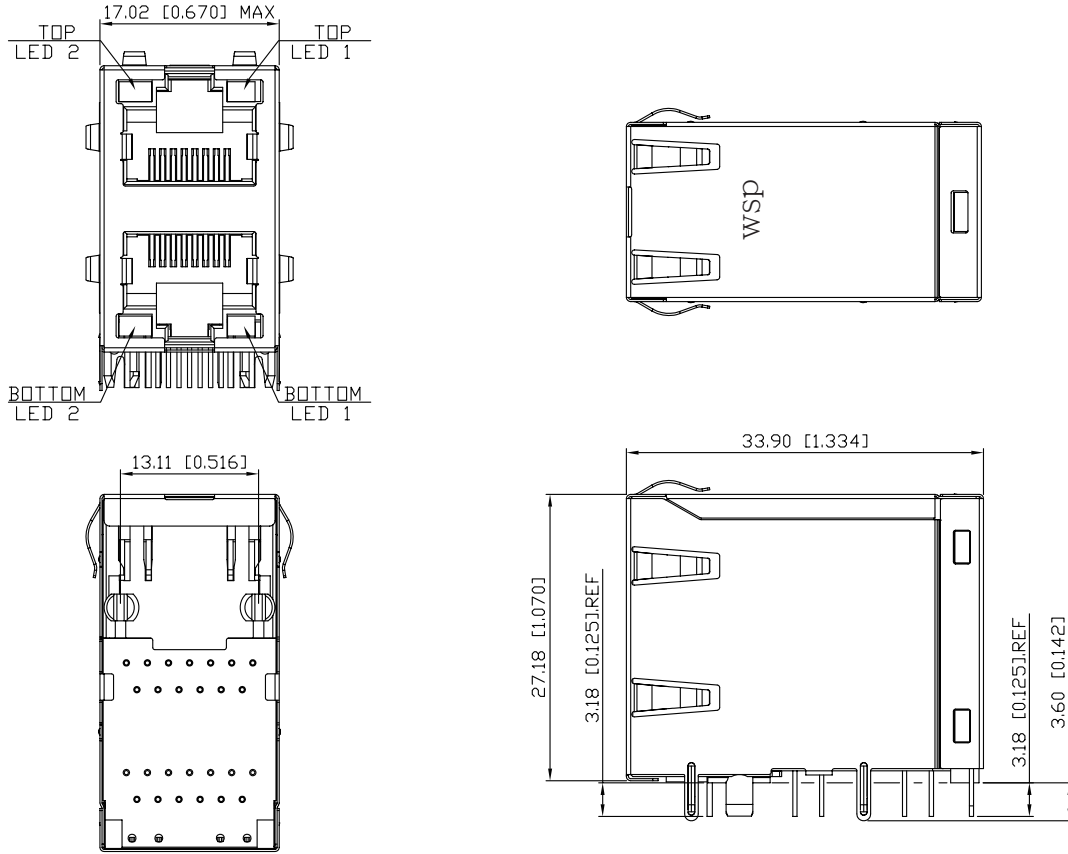


SUGGESTED PCB LAYOUT  
(TOP VIEW)

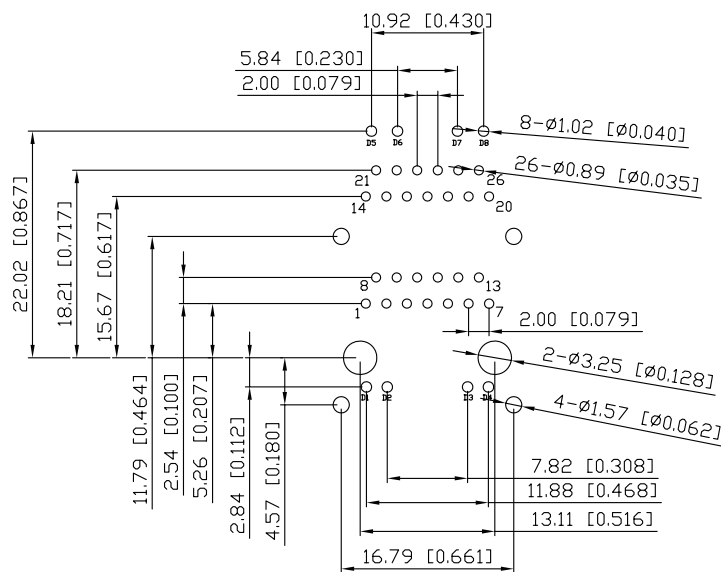
DIMENSIONAL TOLERANCE: .XX ±0.08[0.003]

# 5G/2.5G Series JT-21-41-Z/F-XX

## MECHANICAL DIMENSIONS



## PCB LAYOUT



SUGGESTED PCB LAYOUT  
 (TOP VIEW)  
 DIMENSIONAL TOLERANCE: .XX  $\pm$ 0.08[0.003]